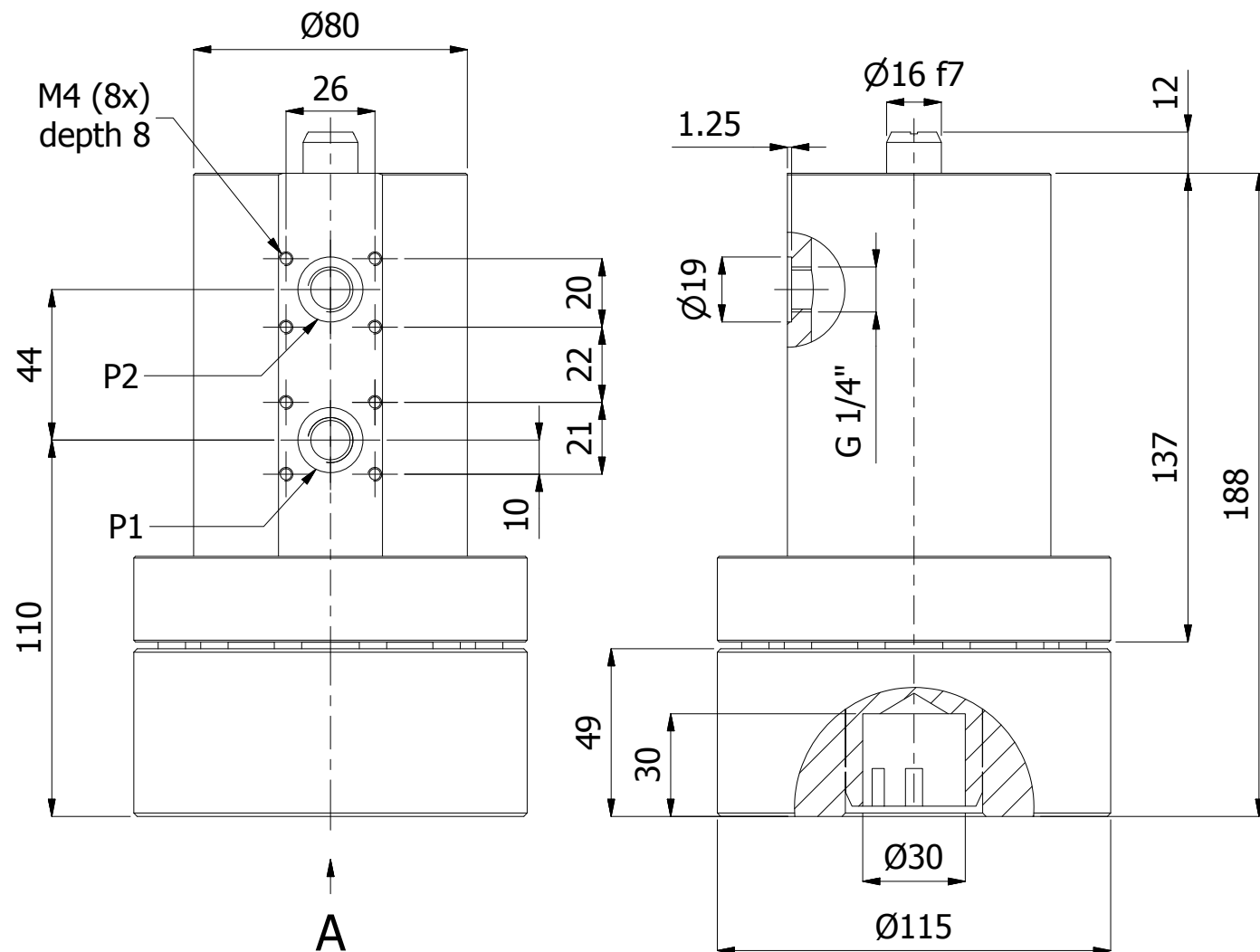
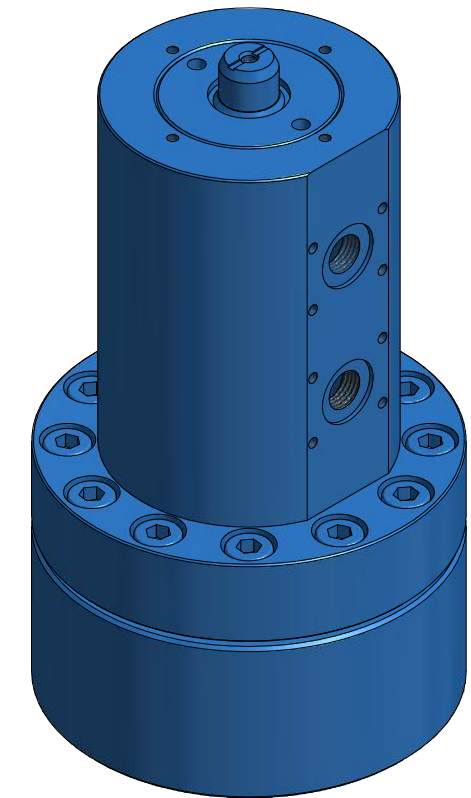
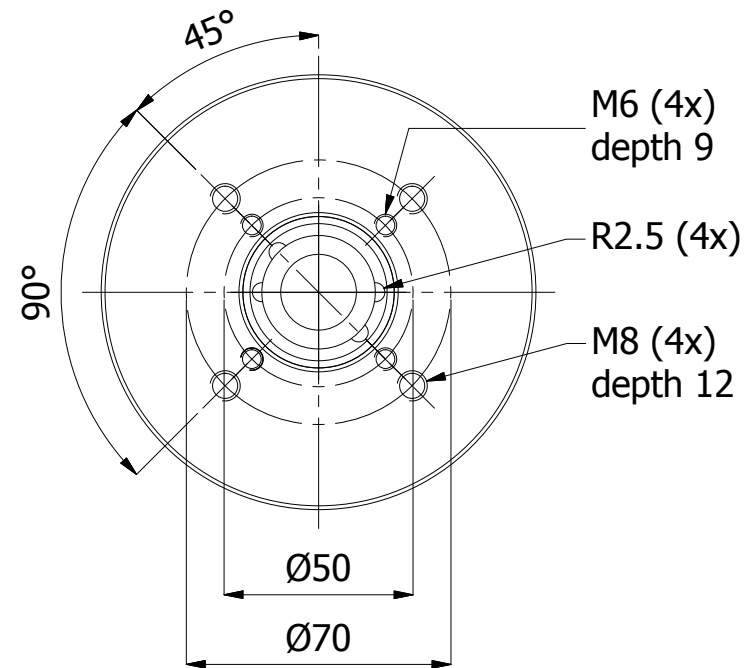


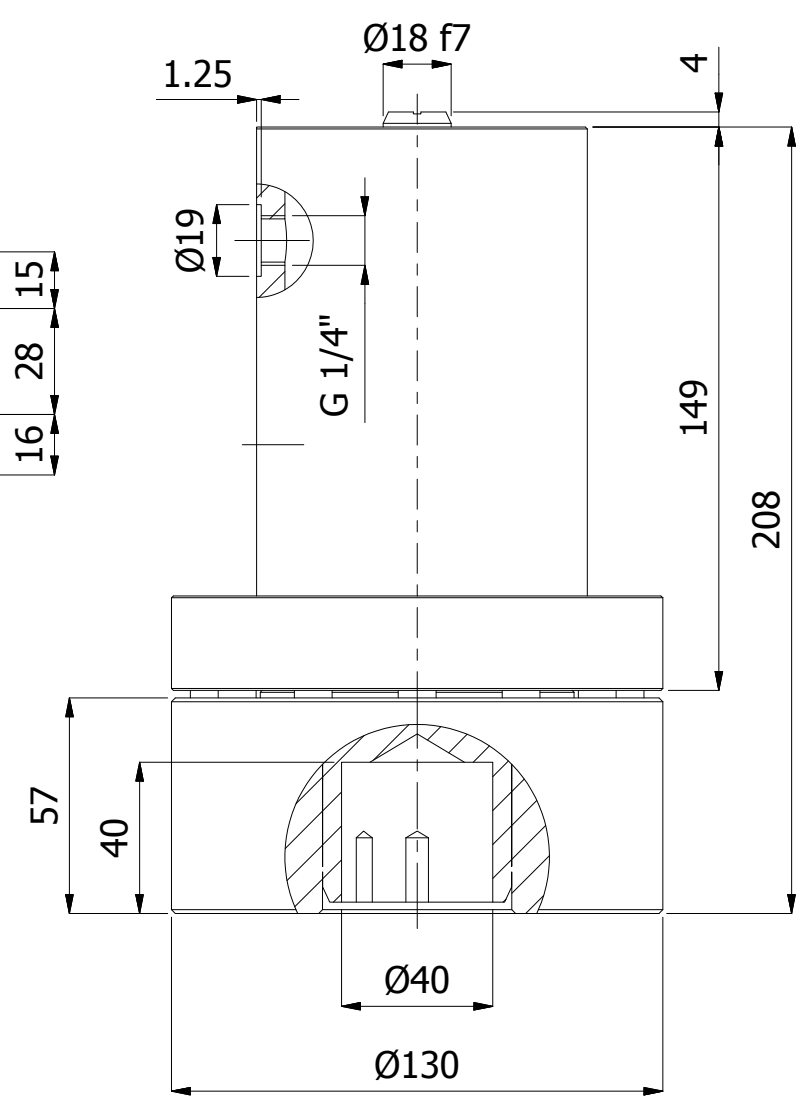
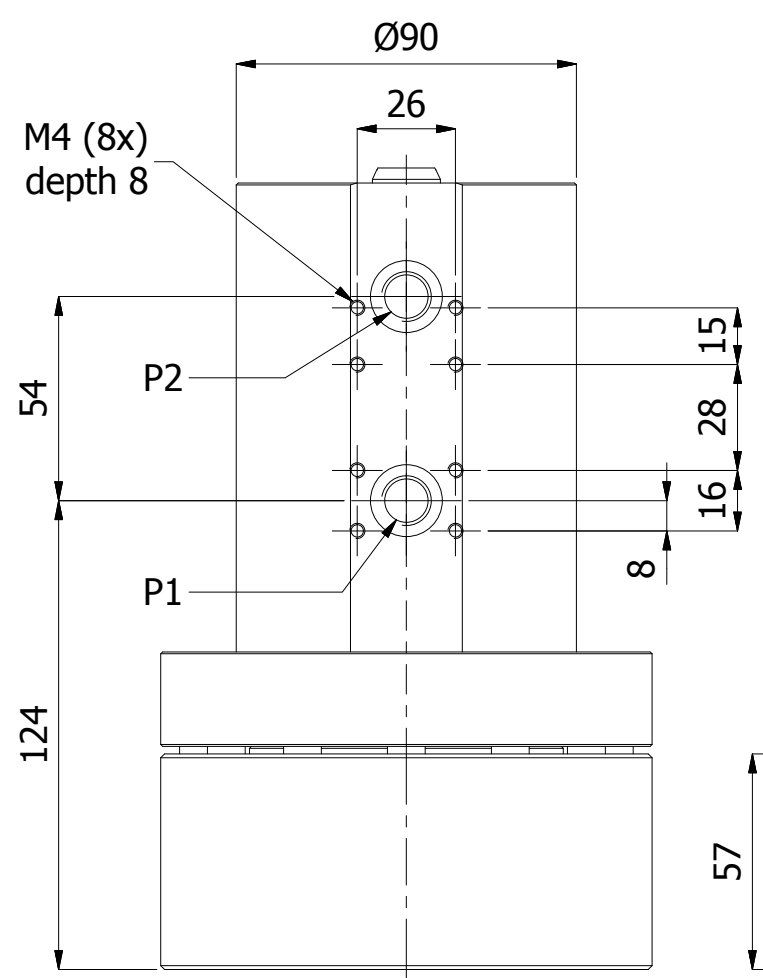
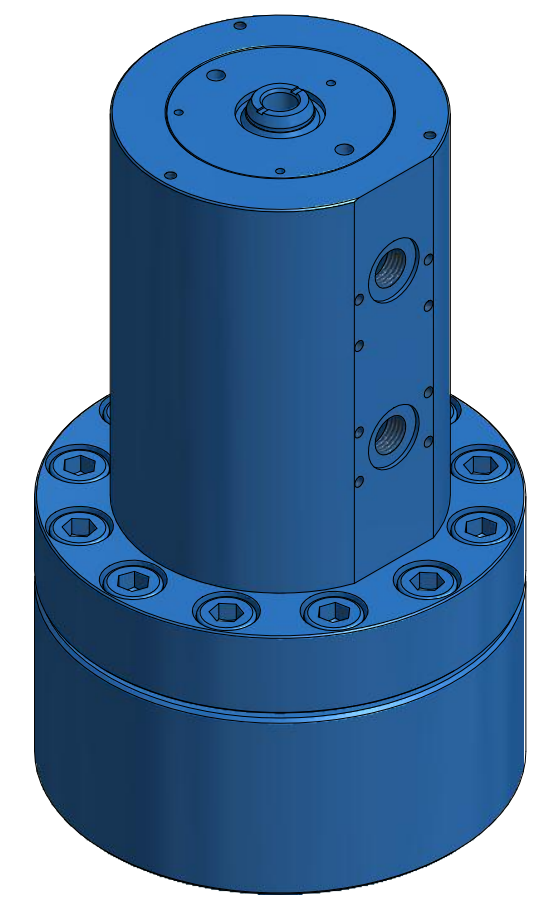
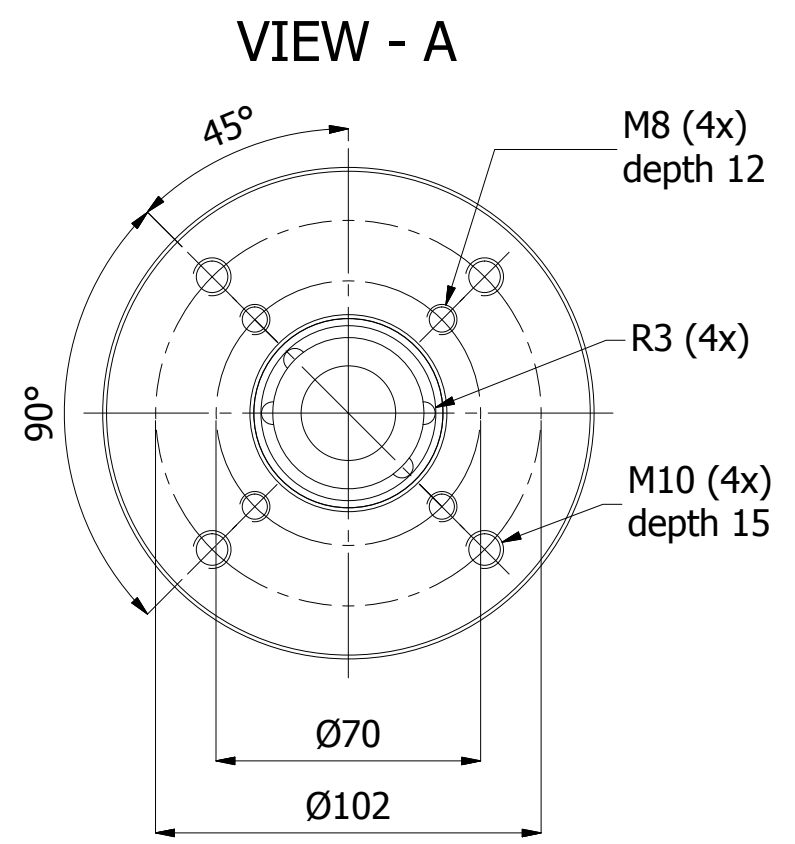
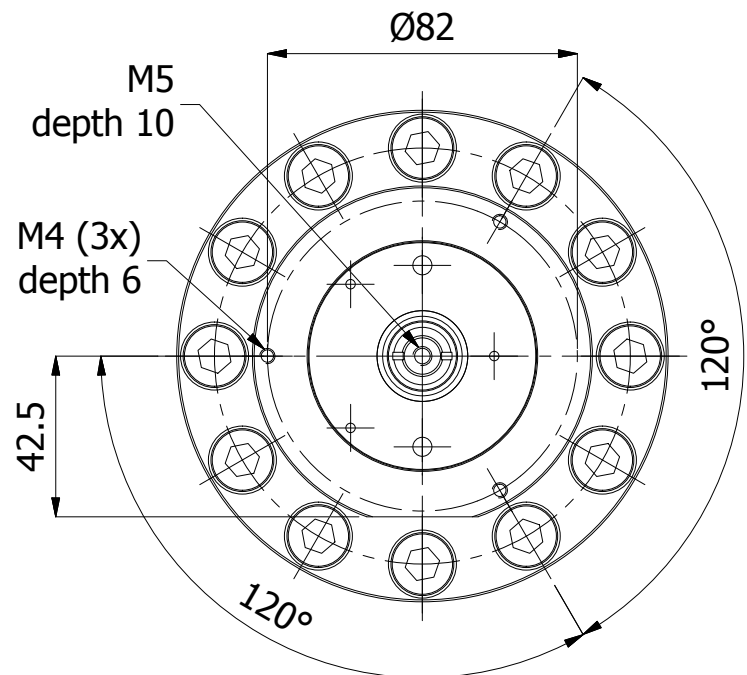
VIEW - A



**Technical Data of ECON Helical Hydraulic Actuator type EDH-1:**

Design Pressure: 135 bar  
 Nominal Torque: 125 Nm @ 135 bar  
 Connection: Flange F05 + F07 (DIN-EN-ISO 5211)  
 Insert Diameter Ø30  
 Starting Position Actuator: Valve closed  
 P1: Open (Rotation counter clockwise seen from above)  
 P2: Close  
 Rotation Angle: 90° ± 1°  
 HPPI (Hydraulic Positive Position Indication)  
 Oil Displacement @ 90°: 0.032 dm<sup>3</sup>  
 Temperature Range: -20°C - +75°C  
 Weight: 9.39 kg  
 Mineral Oils according to the group HLP DIN 51524/Part 2 and VDMA Sheet 24318 have to be used. Care must be taken to ensure their viscosity is between 15 mm<sup>2</sup>/s (cSt.) and 250 mm<sup>2</sup> (cSt.). These conditions are suitable for oil between HLP16 and HLP46, depending on the temperature.

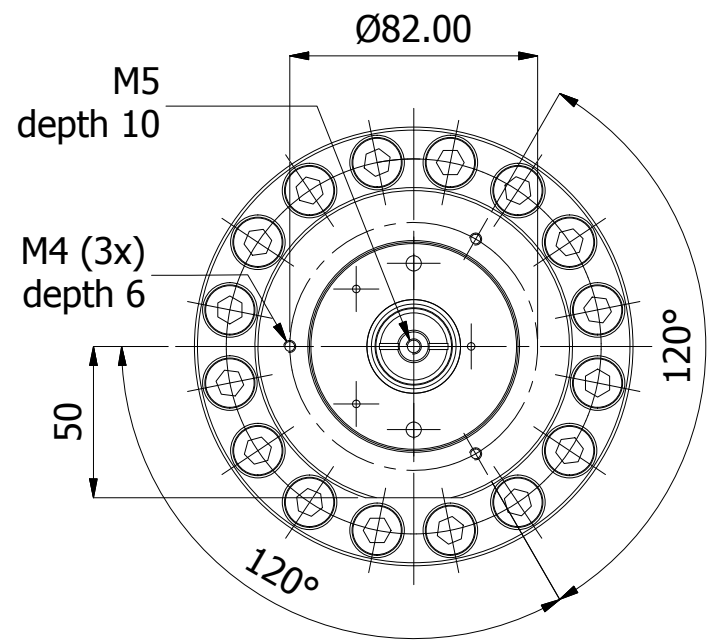
DRAWING	PART	QTY	DESCRIPTION	MATERIAL	DIMENSION	REMARKS
1	1	1	Hydraulic Actuator EDH-1	F05,F07,HPPI	Part No.: 250409006262	
SURFACE FINISH Ra IN µm ACC. TO ISO 1302 INDICATION OF DIMENSIONS AND TOLERANCES ACC. TO ISO 129-1 FORM AND POSITIONAL TOLERANCES ACC. TO ISO 1101			Scale: 1 : 2	Date: 8-7-2015		
TOLERANCES FOR LINEAR AND ANGULAR DIMENSIONS WITHOUT INDIVIDUAL TOLERANCE INDICATIONS acc. to ISO 2768-m			Drawn by: RdK	Approved by:		
REVISION DATE: DESCR.:			Figure No.: 21202	Size: EDH-1	Drawing No.:	REV.:
				Connection: F05 + F07	C-36794	



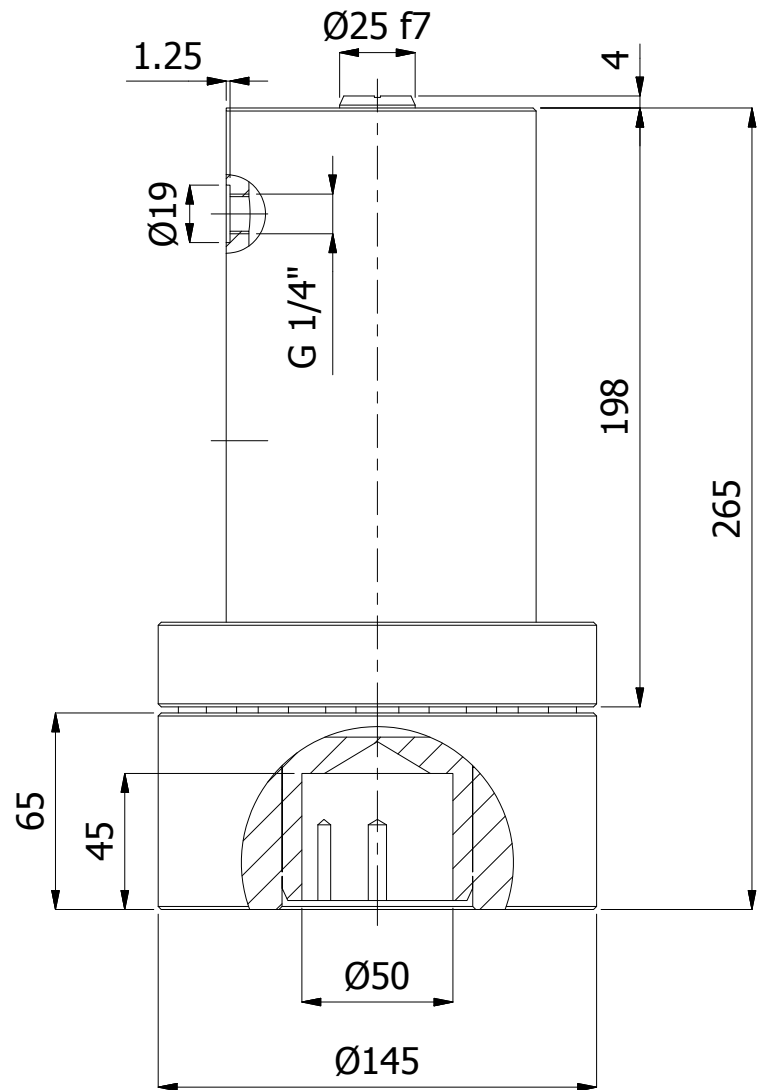
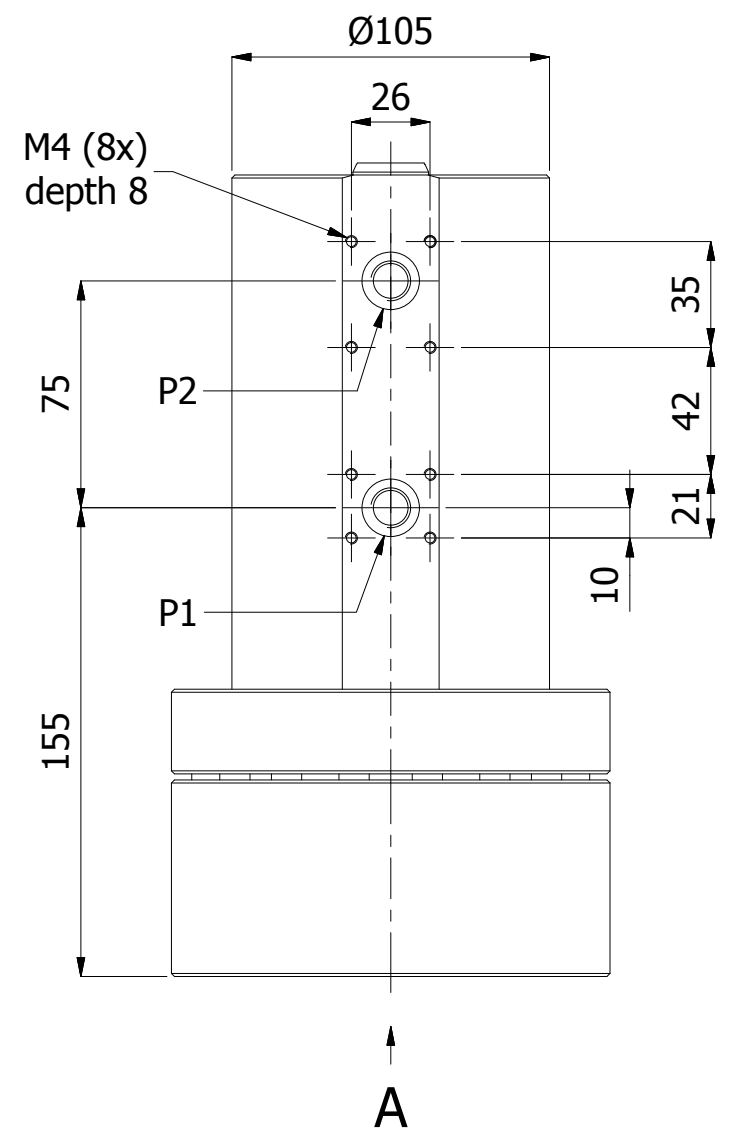
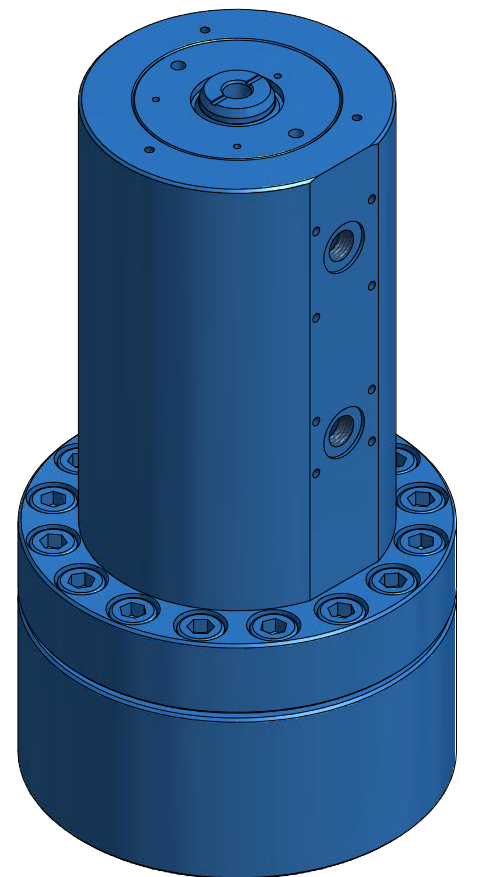
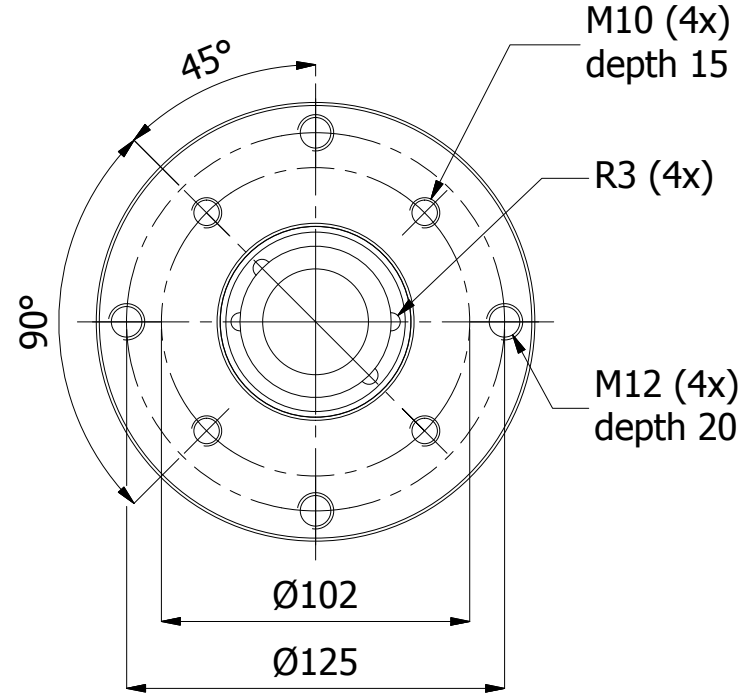
**Technical Data of ECON Helical Hydraulic Actuator type EDH-2:**

Design Pressure: 135 bar  
 Nominal Torque: 290 Nm @ 135 bar  
 Connection: Flange F07 + F10 (DIN-EN-ISO 5211)  
 Insert Diameter  $\varnothing 40$   
 Starting Position Actuator: Valve closed  
 P1: Open (Rotation counter clockwise seen from above)  
 P2: Close  
 Rotation Angle:  $90^\circ \pm 1^\circ$   
 HPPI (Hydraulic Positive Position Indication)  
 Oil Displacement @  $90^\circ$ :  $0.069 \text{ dm}^3$   
 Temperature Range:  $-20^\circ\text{C} - +75^\circ\text{C}$   
 Weight: 12.84 kg  
 Mineral Oils according to the group HLP DIN 51524/Part 2 and VDMA Sheet 24318 have to be used. Care must be taken to ensure their viscosity is between  $15 \text{ mm}^2/\text{s}$  (cSt.) and  $250 \text{ mm}^2$  (cSt.). These conditions are suitable for oil between HLP16 and HLP46, depending on the temperature.

DRAWING	PART	QTY	DESCRIPTION	MATERIAL	DIMENSION	REMARKS
	1	1	Hydraulic Actuator EDH-2	F07,F10,HPPI	Part No.: 250509006279	
SURFACE FINISH Ra IN $\mu\text{m}$ ACC. TO ISO 1302 INDICATION OF DIMENSIONS AND TOLERANCES ACC. TO ISO 129-1 FORM AND POSITIONAL TOLERANCES ACC. TO ISO 1101			Scale: 1 : 2	Date: 8-7-2015	<b>econosto</b>	
TOLERANCES FOR LINEAR AND ANGULAR DIMENSIONS WITHOUT INDIVIDUAL TOLERANCE INDICATIONS acc. to ISO 2768-m			Drawn by: RdK	Approved by:		
REVISION DATE: DESCR.:			Figure No.: 21202	Size: EDH-2	Drawing No.:	REV.:
				Connection: F07 + F10	<b>C-36795</b>	



VIEW - A

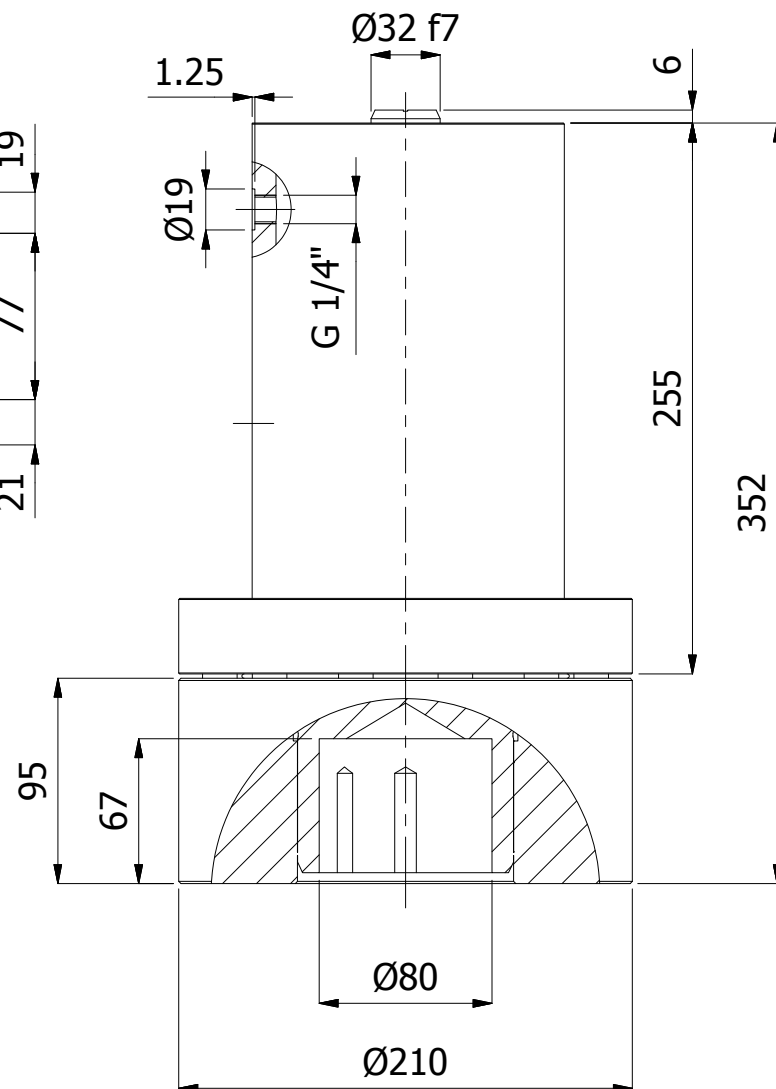
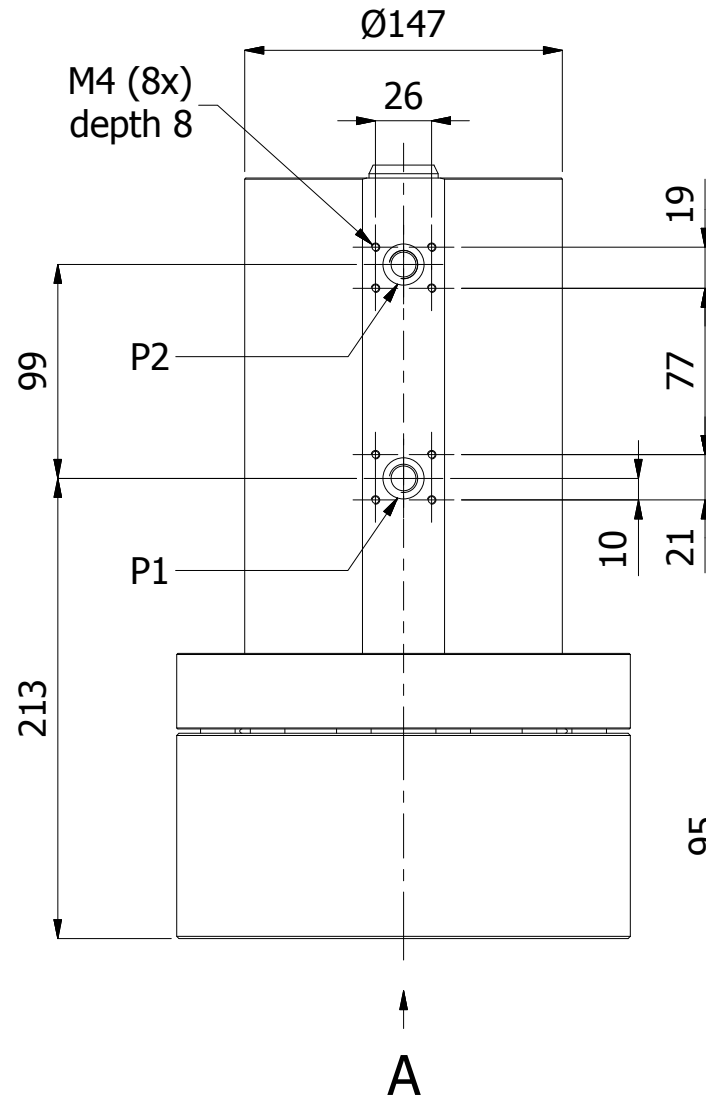
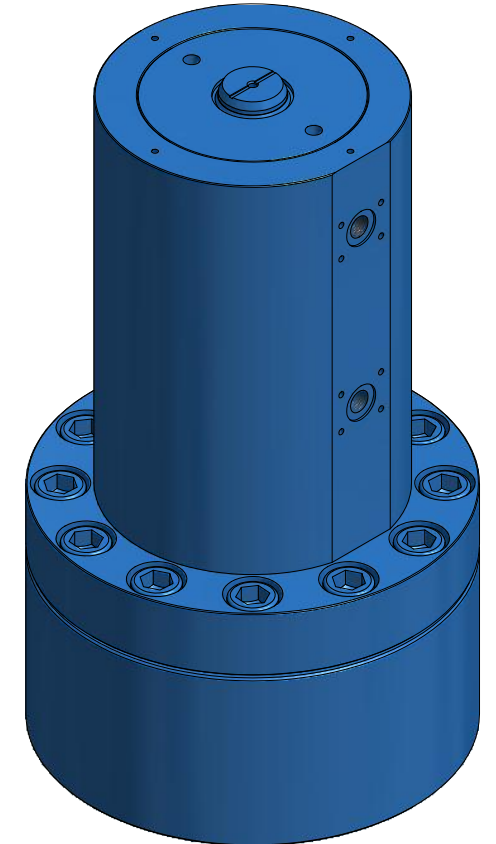
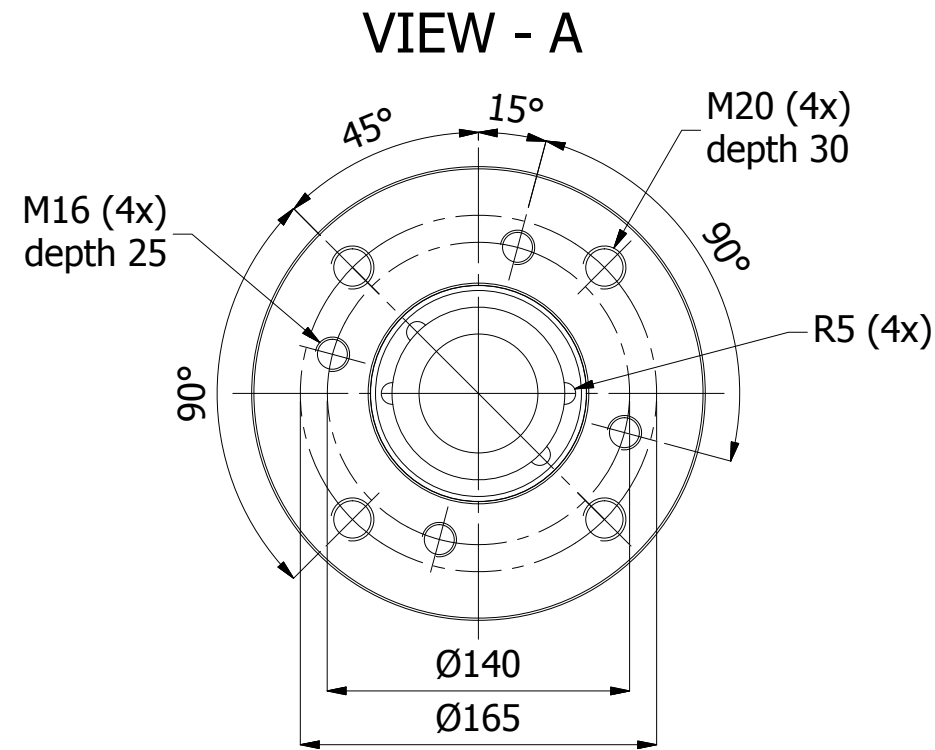
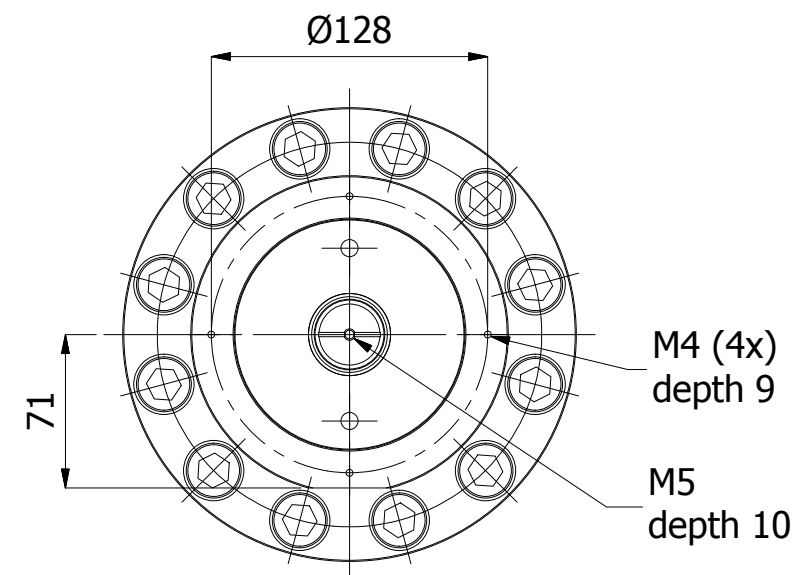


**Technical Data of ECON Helical Hydraulic Actuator type EDH-3:**

Design Pressure: 135 bar  
 Nominal Torque: 530 Nm @ 135 bar  
 Connection: Flange F10 + F12 (DIN-EN-ISO 5211)  
 Insert Diameter Ø50  
 Starting Position Actuator: Valve closed  
 P1: Open (Rotation counter clockwise seen from above)  
 P2: Close  
 Rotation Angle: 90° ± 1°  
 HPPI (Hydraulic Positive Position Indication)  
 Oil Displacement @ 90°: 0.127 dm<sup>3</sup>  
 Temperature Range: -20°C - +75°C  
 Weight: 20.44 kg  
 Mineral Oils according to the group HLP DIN 51524/Part 2 and VDMA Sheet 24318 have to be used. Care must be taken to ensure their viscosity is between 15 mm<sup>2</sup>/s (cSt.) and 250 mm<sup>2</sup> (cSt.). These conditions are suitable for oil between HLP16 and HLP46, depending on the temperature.

1	1	Hydraulic Actuator EDH-3	F10,F12,HPPI	Part No.: 250609006283		
DRAWING	PART	QTY	DESCRIPTION	MATERIAL	DIMENSION	REMARKS
SURFACE FINISH Ra IN µm ACC. TO ISO 1302 INDICATION OF DIMENSIONS AND TOLERANCES ACC. TO ISO 129-1 FORM AND POSITIONAL TOLERANCES ACC. TO ISO 1101			Scale: 1 : 2.5	Date: 8-7-2015		
TOLERANCES FOR LINEAR AND ANGULAR DIMENSIONS WITHOUT INDIVIDUAL TOLERANCE INDICATIONS acc. to ISO 2768-m			Drawn by: RdK	Approved by:		
REVISION DATE: DESCR.:			Figure No.: 21202	Size: EDH-3	Drawing No.:	REV.:
				Connection: F10 + F12	C-36796	

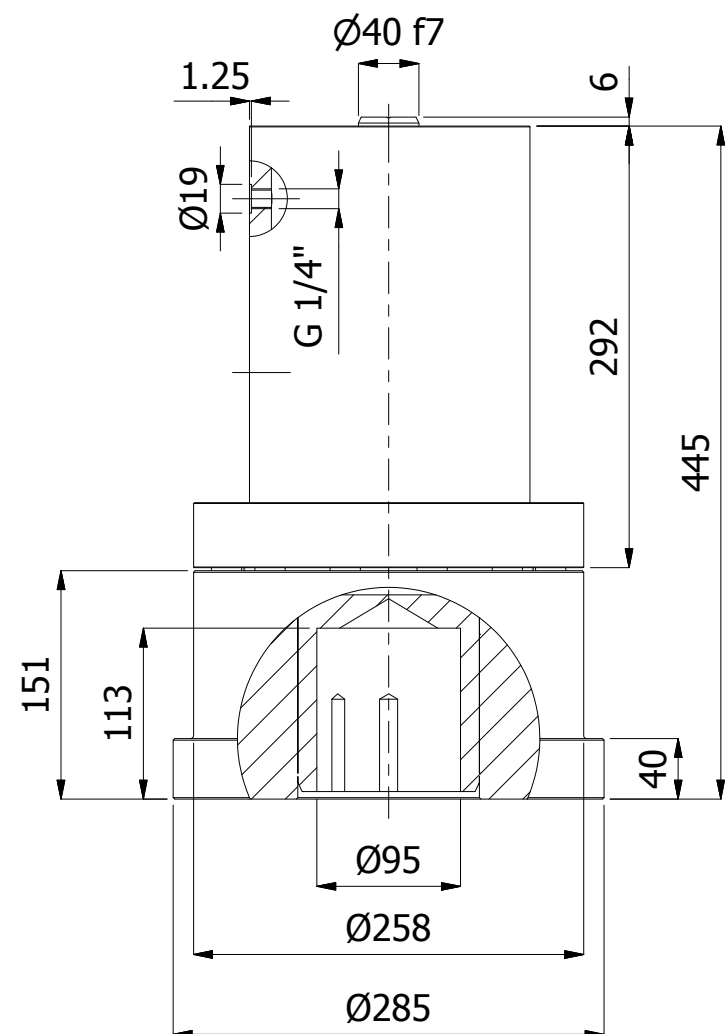
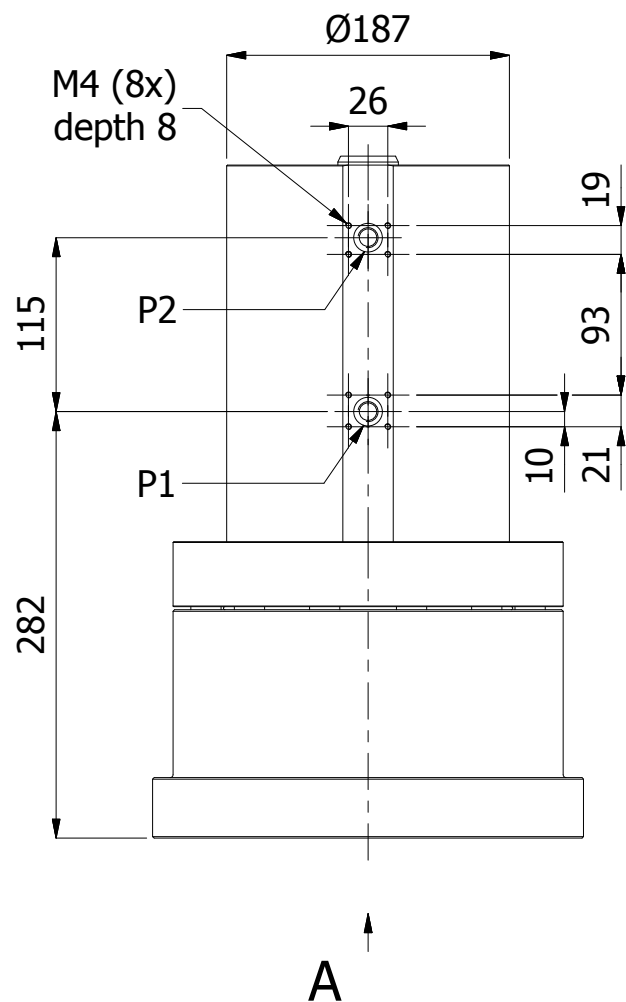
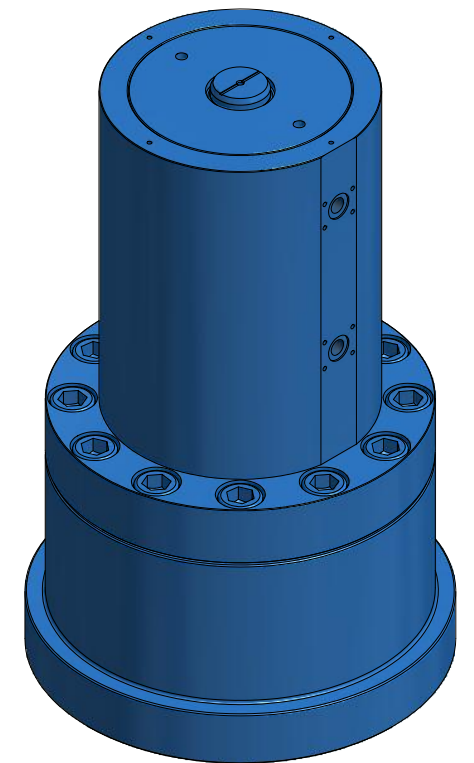
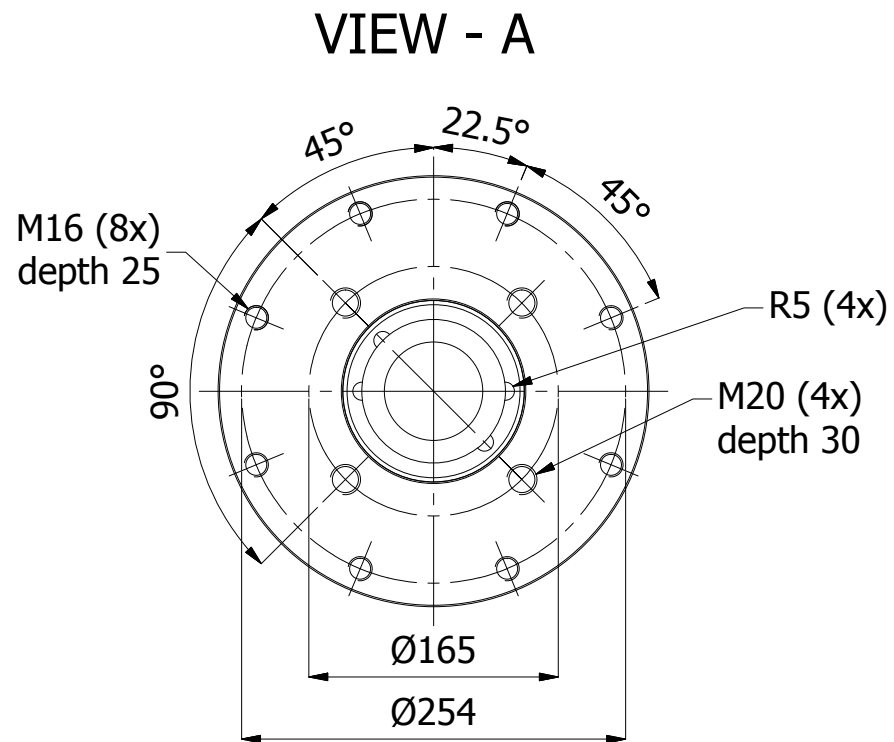
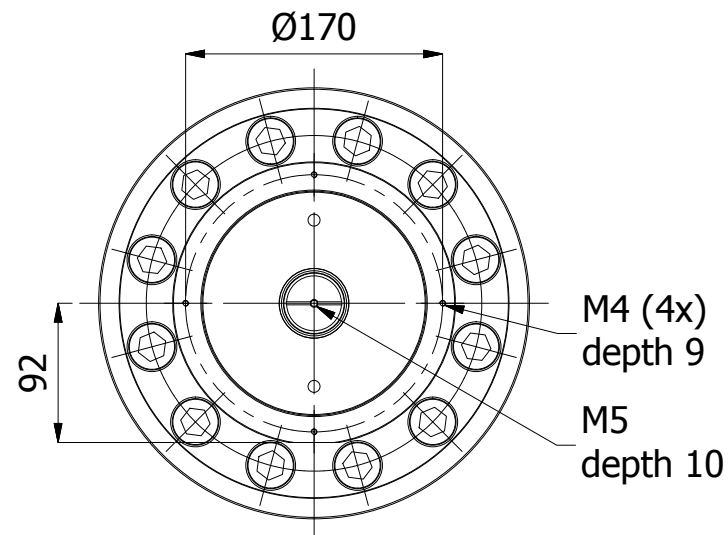




### Technical Data of ECON Helical Hydraulic Actuator type EDH-5:

Design Pressure: 135 bar  
 Nominal Torque: 1985 Nm @ 135 bar  
 Connection: Flange F14 + F16 (DIN-EN-ISO 5211)  
 Insert: Diameter  $\text{Ø}80$   
 Starting Position Actuator: Valve closed  
 P1: Open (Rotation counter clockwise seen from above)  
 P2: Close  
 Rotation Angle:  $90^\circ \pm 1^\circ$   
 HPPI (Hydraulic Positive Position Indication)  
 Oil Displacement @  $90^\circ$ :  $0.47 \text{ dm}^3$   
 Temperature Range:  $-20^\circ\text{C} - +75^\circ\text{C}$   
 Weight: 54.11 kg  
 Mineral Oils according to the group HLP DIN 51524/Part 2 and VDMA Sheet 24318 have to be used. Care must be taken to ensure their viscosity is between  $15 \text{ mm}^2/\text{s}$  (cSt.) and  $250 \text{ mm}^2/\text{s}$  (cSt.). These conditions are suitable for oil between HLP16 and HLP46, depending on the temperature.

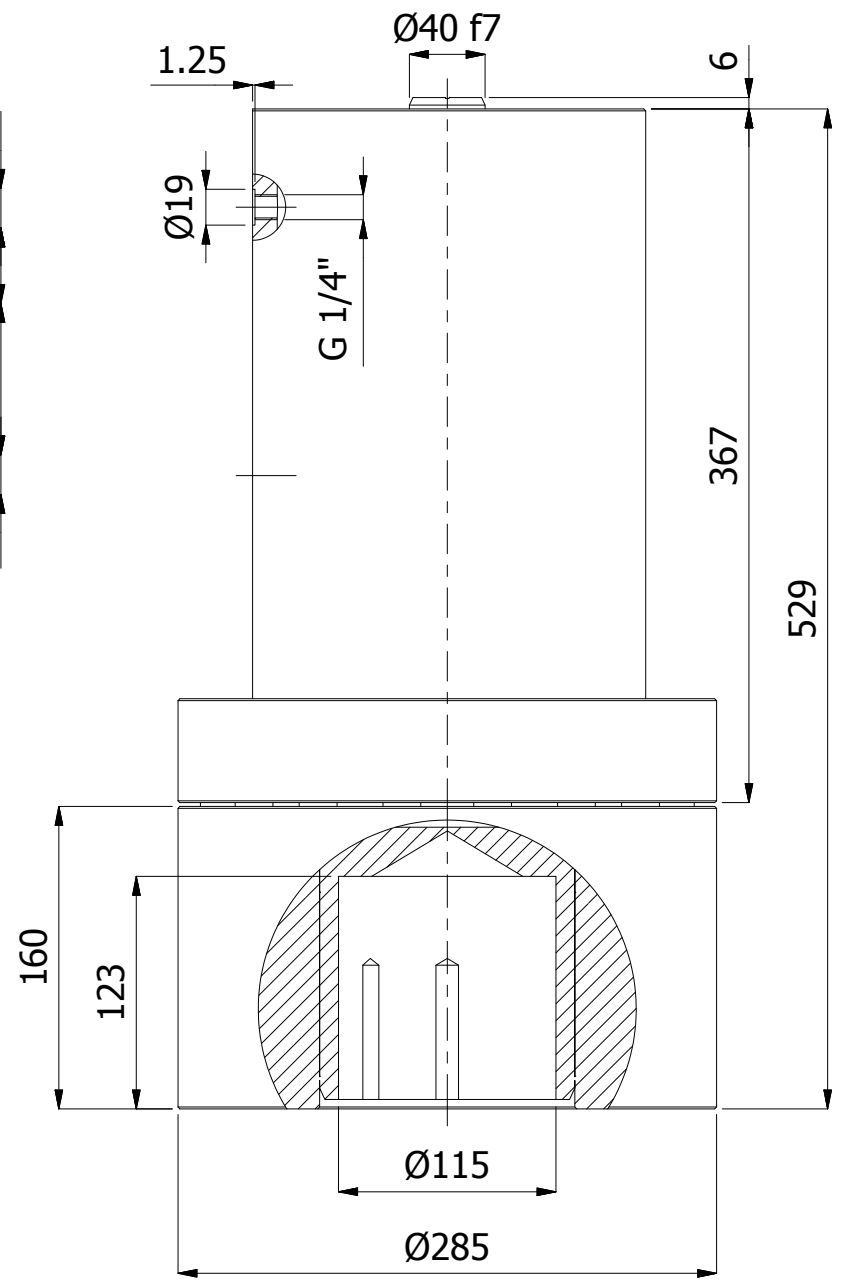
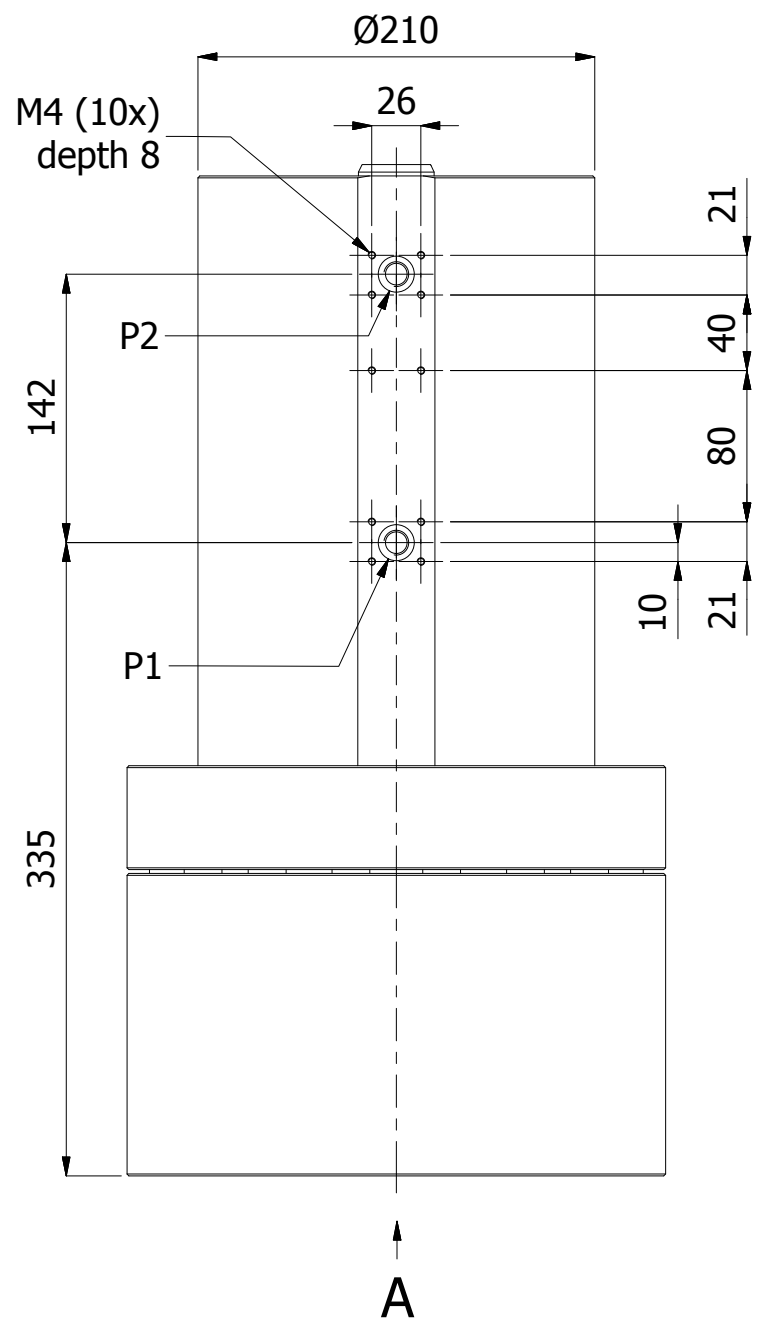
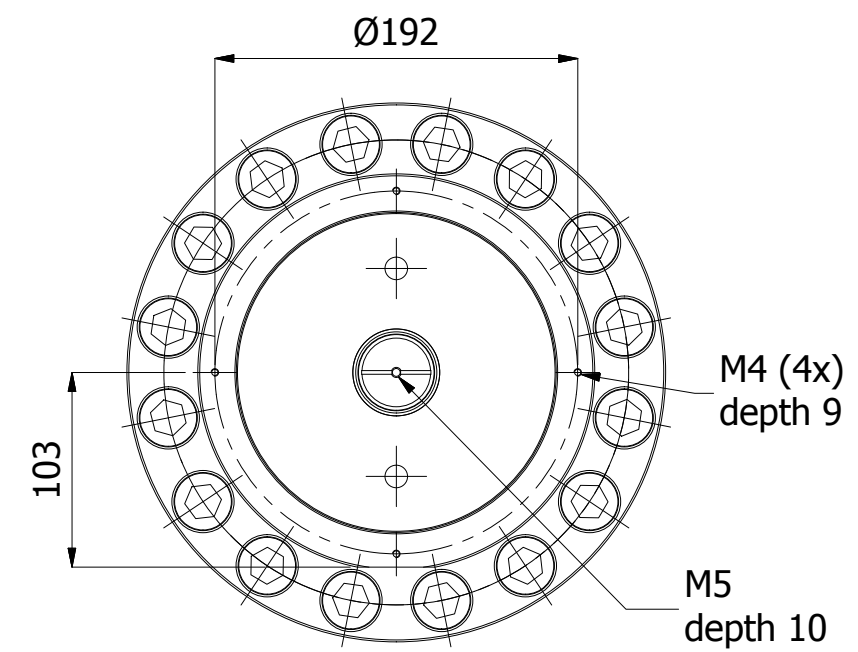
DRAWING	PART	QTY	DESCRIPTION	MATERIAL	DIMENSION	REMARKS
	1	1	Hydraulic Actuator EDH-5	F14,F16,HPPI	Part No.: 251009006170	
SURFACE FINISH Ra IN $\mu\text{m}$ ACC. TO ISO 1302 INDICATION OF DIMENSIONS AND TOLERANCES ACC. TO ISO 129-1 FORM AND POSITIONAL TOLERANCES ACC. TO ISO 1101			Scale: 1 : 3.5	Date: 9-7-2015		
TOLERANCES FOR LINEAR AND ANGULAR DIMENSIONS WITHOUT INDIVIDUAL TOLERANCE INDICATIONS acc. to ISO 2768-m			Drawn by: RdK	Approved by:		
REVISION DATE: DESCR.:			Figure No.: 21202	Size: EDH-5	Drawing No.:	REV.:
				Connection: F14 + F16	C-36798	



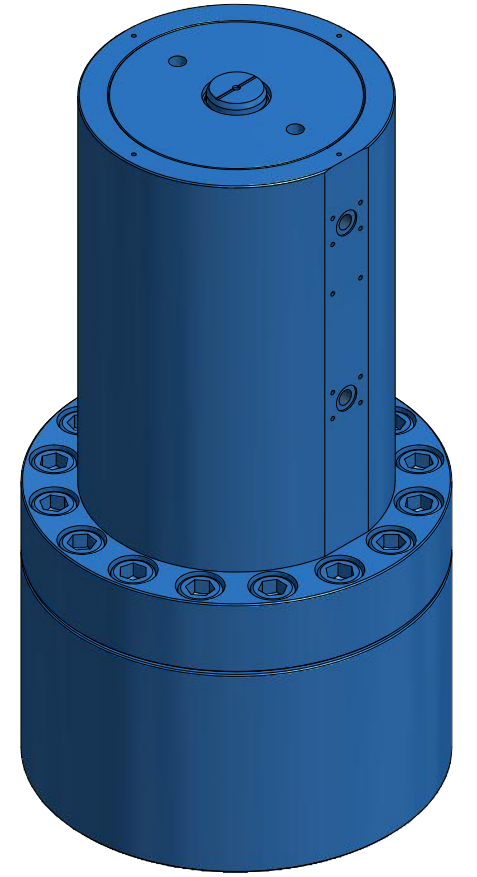
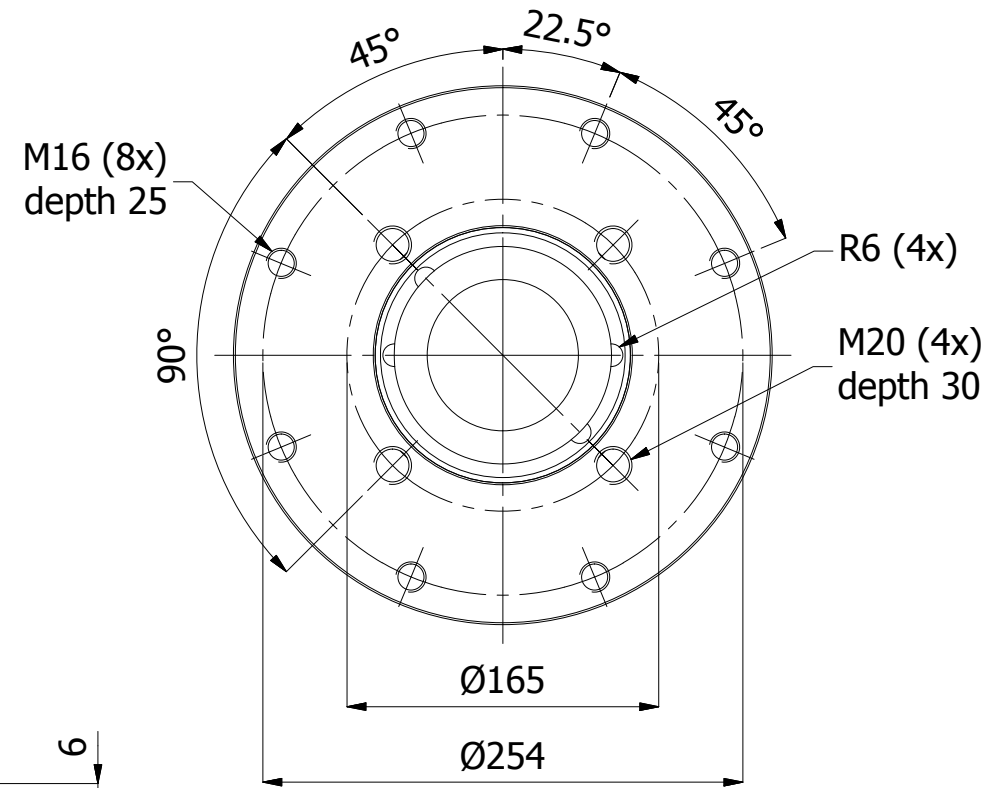
**Technical Data of ECON Helical Hydraulic Actuator type EDH-6:**

Design Pressure: 135 bar  
 Nominal Torque: 4050 Nm @ 135 bar  
 Connection: Flange F16 + F25 (DIN-EN-ISO 5211)  
 Insert Diameter  $\text{Ø}95$   
 Starting Position Actuator: Valve closed  
 P1: Open (Rotation counter clockwise seen from above)  
 P2: Close  
 Rotation Angle:  $90^\circ \pm 1^\circ$   
 HPPI (Hydraulic positive Position Indication)  
 Oil Displacement @  $90^\circ$ :  $1.042 \text{ dm}^3$   
 Temperature Range:  $-20^\circ\text{C} - +75^\circ\text{C}$   
 Weight: 114.70 kg  
 Mineral Oils according to the group HLP DIN 51524/Part 2 and VDMA Sheet 24318 have to be used. Care must be taken to ensure their viscosity is between  $15 \text{ mm}^2/\text{s}$  (cSt.) and  $250 \text{ mm}^2$  (cSt.). These conditions are suitable for oil between HLP16 and HLP46, depending on the temperature.

DRAWING	PART	QTY	DESCRIPTION	MATERIAL	DIMENSION	REMARKS
1	1	1	Hydraulic Actuator EDH-6	F16,F25,HPPI	Part No.: 251409006317	
SURFACE FINISH $R_a$ IN $\mu\text{m}$ ACC. TO ISO 1302 INDICATION OF DIMENSIONS AND TOLERANCES ACC. TO ISO 129-1 FORM AND POSITIONAL TOLERANCES ACC. TO ISO 1101				Scale: 1 : 5	Date: 9-7-2015	<b>econosto</b>
TOLERANCES FOR LINEAR AND ANGULAR DIMENSIONS WITHOUT INDIVIDUAL TOLERANCE INDICATIONS acc. to ISO 2768-m				Drawn by: RdK	Approved by:	
REVISION DATE: DESCR.:				Figure No.: 21202	Size: EDH-6	Drawing No.: C-36799
				Connection: F16 + F25		REV.:



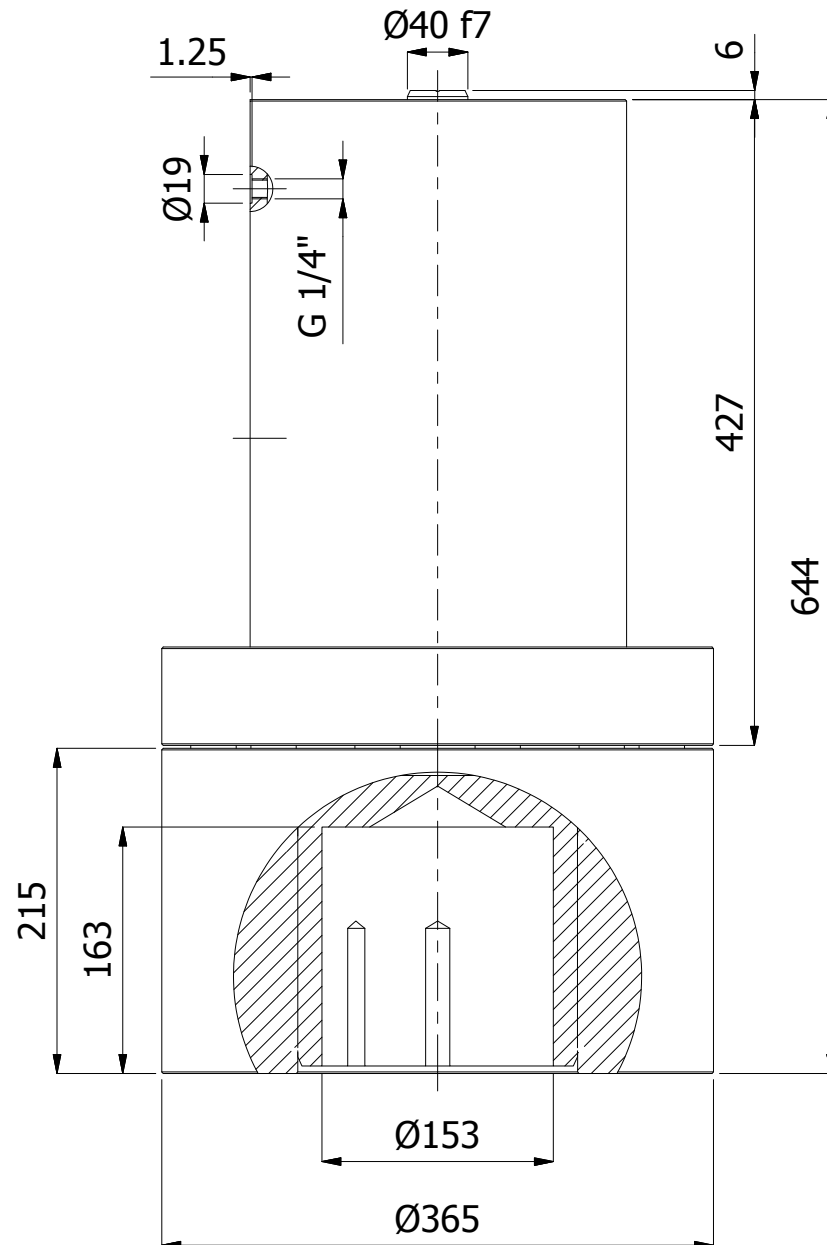
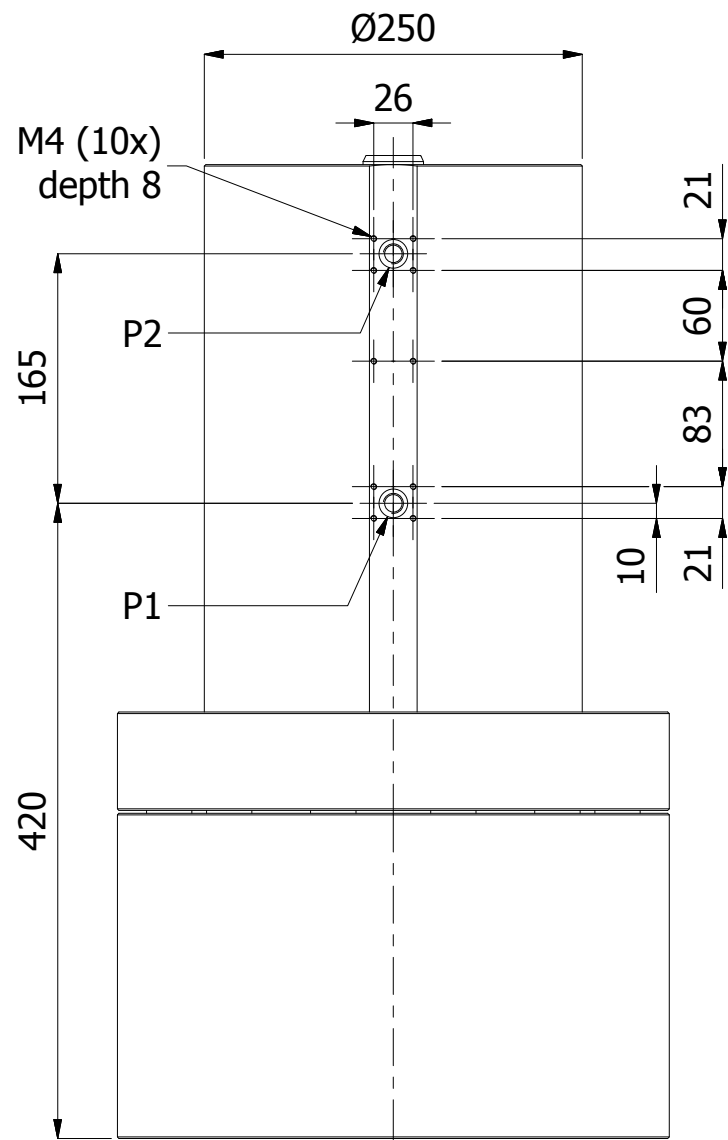
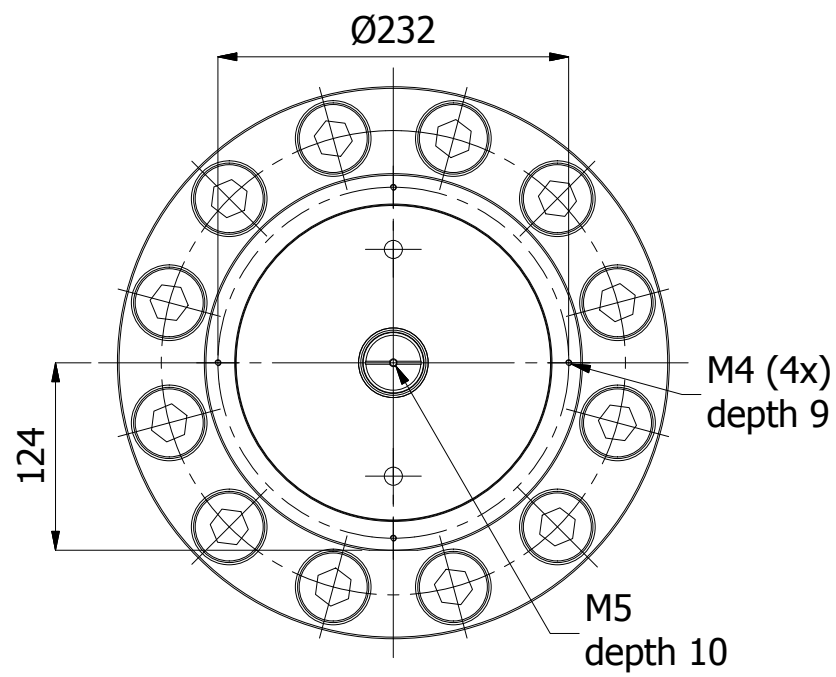
VIEW - A



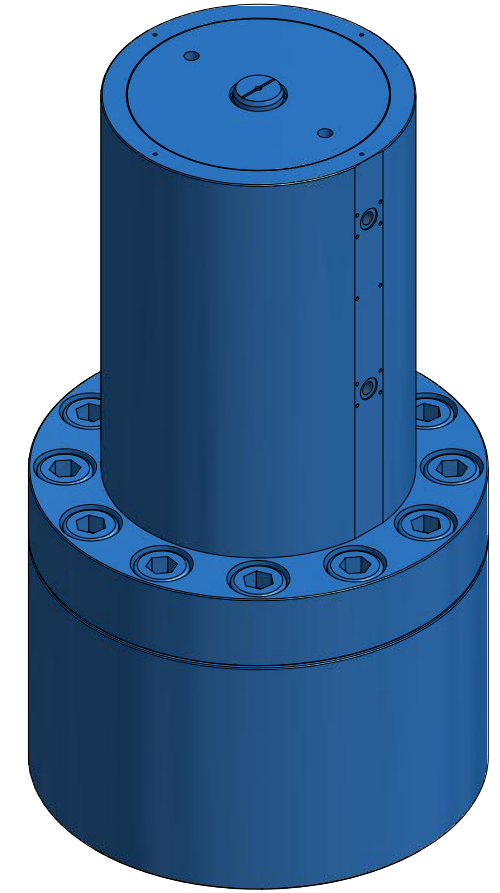
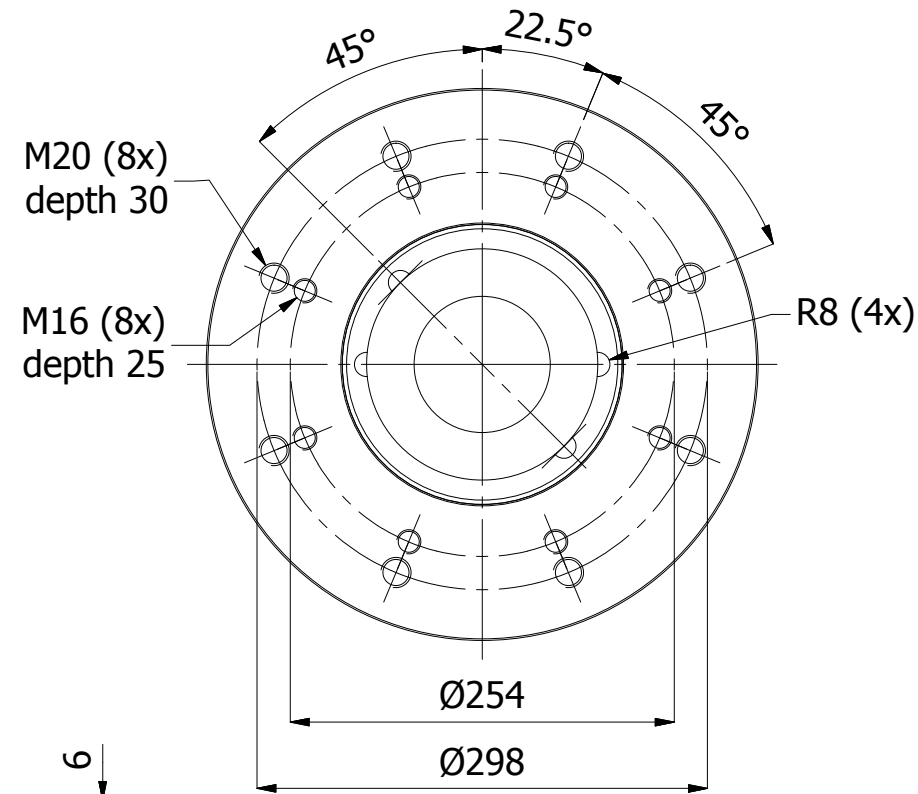
**Technical Data of ECON Helical Hydraulic Actuator type EDH-7:**

Design Pressure: 135 bar  
 Nominal Torque: 8100 Nm @ 135 bar  
 Connection: Flange F16 + F25 (DIN-EN-ISO 5211)  
 Insert Diameter  $\text{Ø}115$   
 Starting Position Actuator: Valve closed  
 P1: Open (Rotation counter clockwise seen from above)  
 P2: Close  
 Rotation Angle:  $90^\circ \pm 1^\circ$   
 HPPI (Hydraulic Positive Position Indication)  
 Oil Displacement @  $90^\circ$ :  $1.942 \text{ dm}^3$   
 Temperature Range:  $-20^\circ\text{C} - +75^\circ\text{C}$   
 Weight: 155.83 kg  
 Mineral Oils according to the group HLP DIN 51524/Part 2 and VDMA Sheet 24318 have to be used. Care must be taken to ensure their viscosity is between  $15 \text{ mm}^2/\text{s}$  (cSt.) and  $250 \text{ mm}^2$  (cSt.). These conditions are suitable for oil between HLP16 and HLP46, depending on the temperature.

DRAWING	PART	QTY	DESCRIPTION	MATERIAL	DIMENSION	REMARKS
1	1	1	Hydraulic Actuator EDH-7	F16,F25,HPPI	Part No.: 251609006525	
SURFACE FINISH $R_a$ IN $\mu\text{m}$ ACC. TO ISO 1302 INDICATION OF DIMENSIONS AND TOLERANCES ACC. TO ISO 129-1 FORM AND POSITIONAL TOLERANCES ACC. TO ISO 1101				Scale: 1 : 4	Date: 9-7-2015	eCONOSTO
TOLERANCES FOR LINEAR AND ANGULAR DIMENSIONS WITHOUT INDIVIDUAL TOLERANCE INDICATIONS acc. to ISO 2768-m				Drawn by: RdK	Approved by:	
REVISION DATE: DESCR.:				Figure No.: 21202	Size: EDH-7	Drawing No.: C-36800
					Connection: F16 + F25	REV.:



VIEW - A



**Technical Data of ECON Helical Hydraulic Actuator type EDH-8:**

Design Pressure: 135 bar  
 Nominal Torque: 16200 Nm @ 135 bar  
 Connection: Flange F25 + F30 (DIN-EN-ISO 5211)  
 Insert Diameter  $\text{Ø}153$   
 Starting Position Actuator: Valve closed  
 P1: Open (Rotation counter clockwise seen from above)  
 P2: Close  
 Rotation Angle:  $90^\circ \pm 1^\circ$   
 HPPI (Hydraulic Positive Position Indication)  
 Oil Displacement @  $90^\circ$ :  $3.824 \text{ dm}^3$   
 Temperature Range:  $-20^\circ\text{C} - +75^\circ\text{C}$   
 Weight: 295.43 kg  
 Mineral Oils according to the group HLP DIN 51524/Part 2 and VDMA Sheet 24318 have to be used. Care must be taken to ensure their viscosity is between  $15 \text{ mm}^2/\text{s}$  (cSt.) and  $250 \text{ mm}^2$  (cSt.). These conditions are suitable for oil between HLP16 and HLP46, depending on the temperature.

DRAWING	PART	QTY	DESCRIPTION	MATERIAL	DIMENSION	REMARKS
	1	1	Hydraulic Actuator EDH-8	F25,F30,HPPI	Part No.: 252009006526	
SURFACE FINISH Ra IN $\mu\text{m}$ ACC. TO ISO 1302 INDICATION OF DIMENSIONS AND TOLERANCES ACC. TO ISO 129-1 FORM AND POSITIONAL TOLERANCES ACC. TO ISO 1101				Scale: 1 : 5	Date: 9-7-2015	
TOLERANCES FOR LINEAR AND ANGULAR DIMENSIONS WITHOUT INDIVIDUAL TOLERANCE INDICATIONS acc. to ISO 2768-m				Drawn by: RdK	Approved by:	
REVISION DATE: DESCR.:				Figure No.: 21202	Size: EDH-8	Drawing No.: C-36801
				Connection: F25 + F30		REV.:

**econosto**